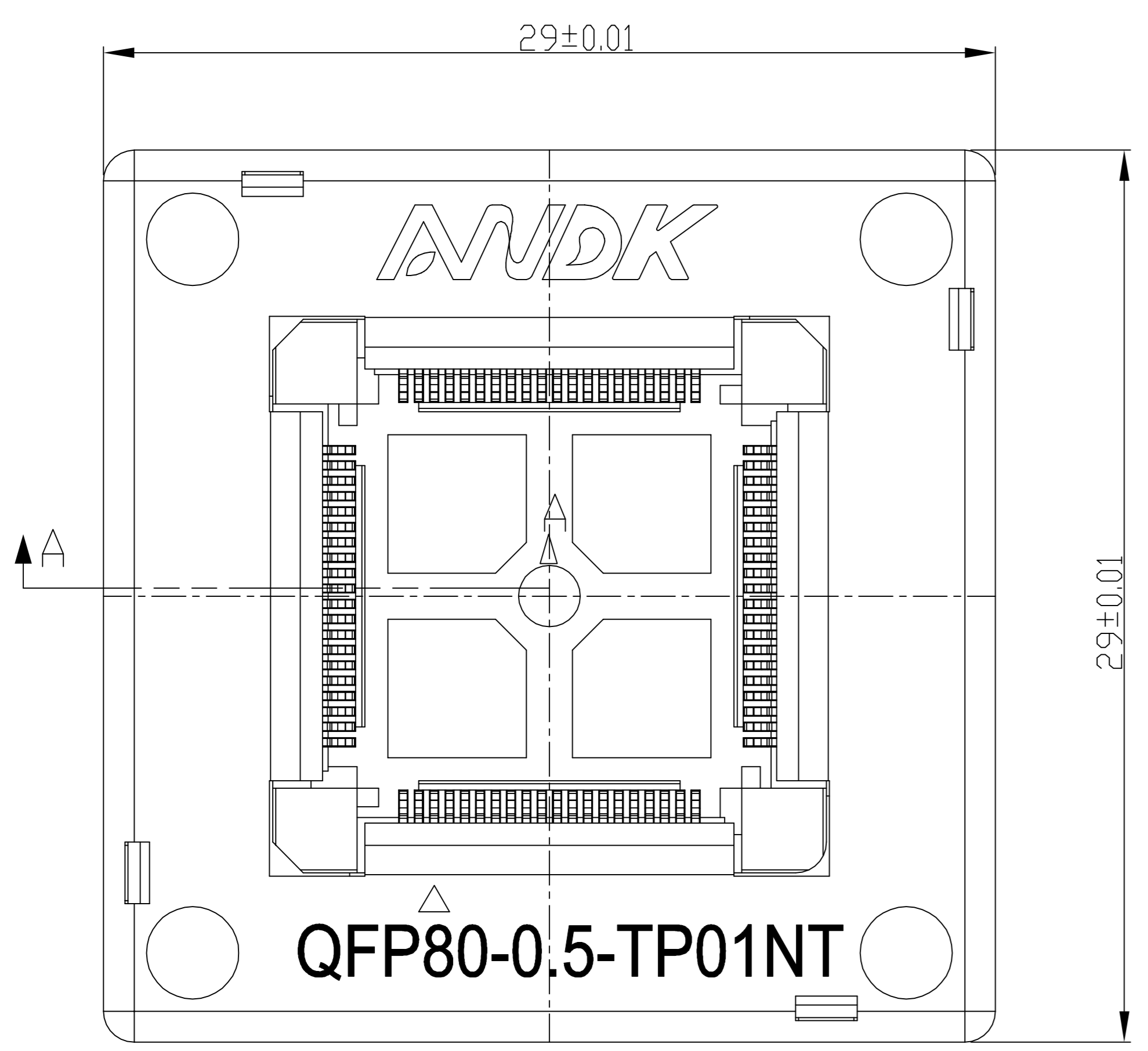
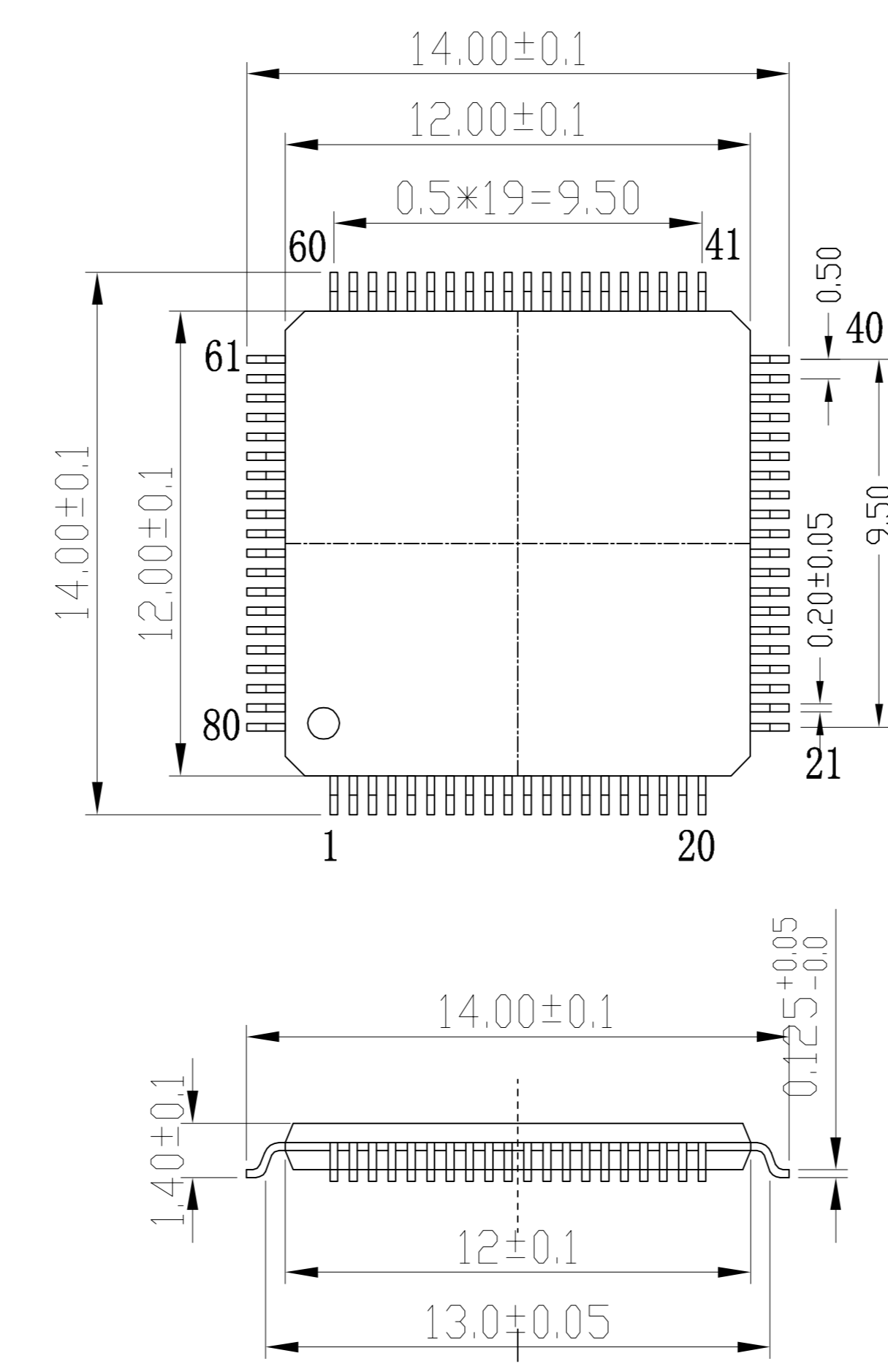


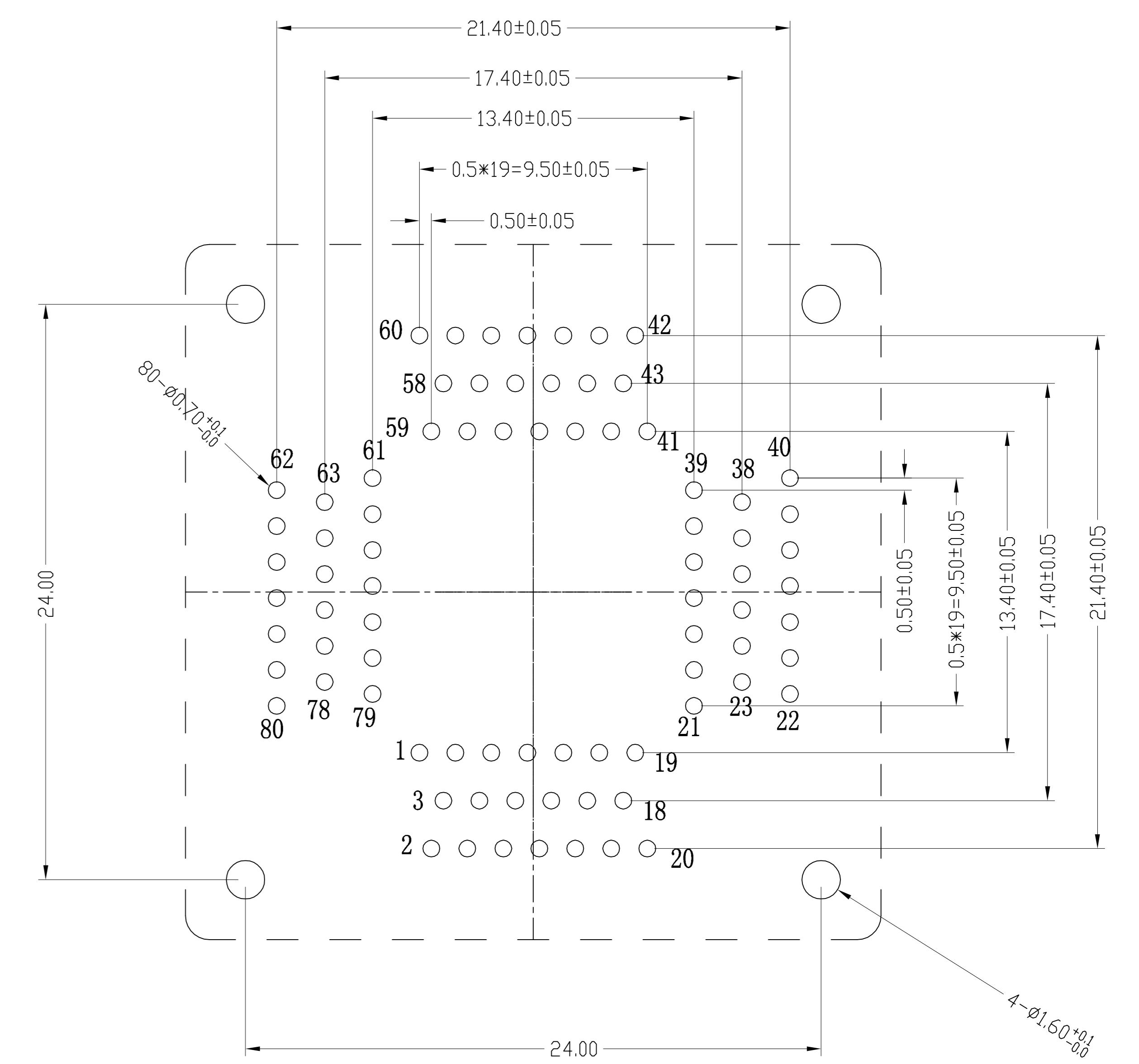
REVISION	DESCRIPTION	CHECK	APP	DATE	REV. NOTICE NO
△ 1					
△ 2					
△ 3					



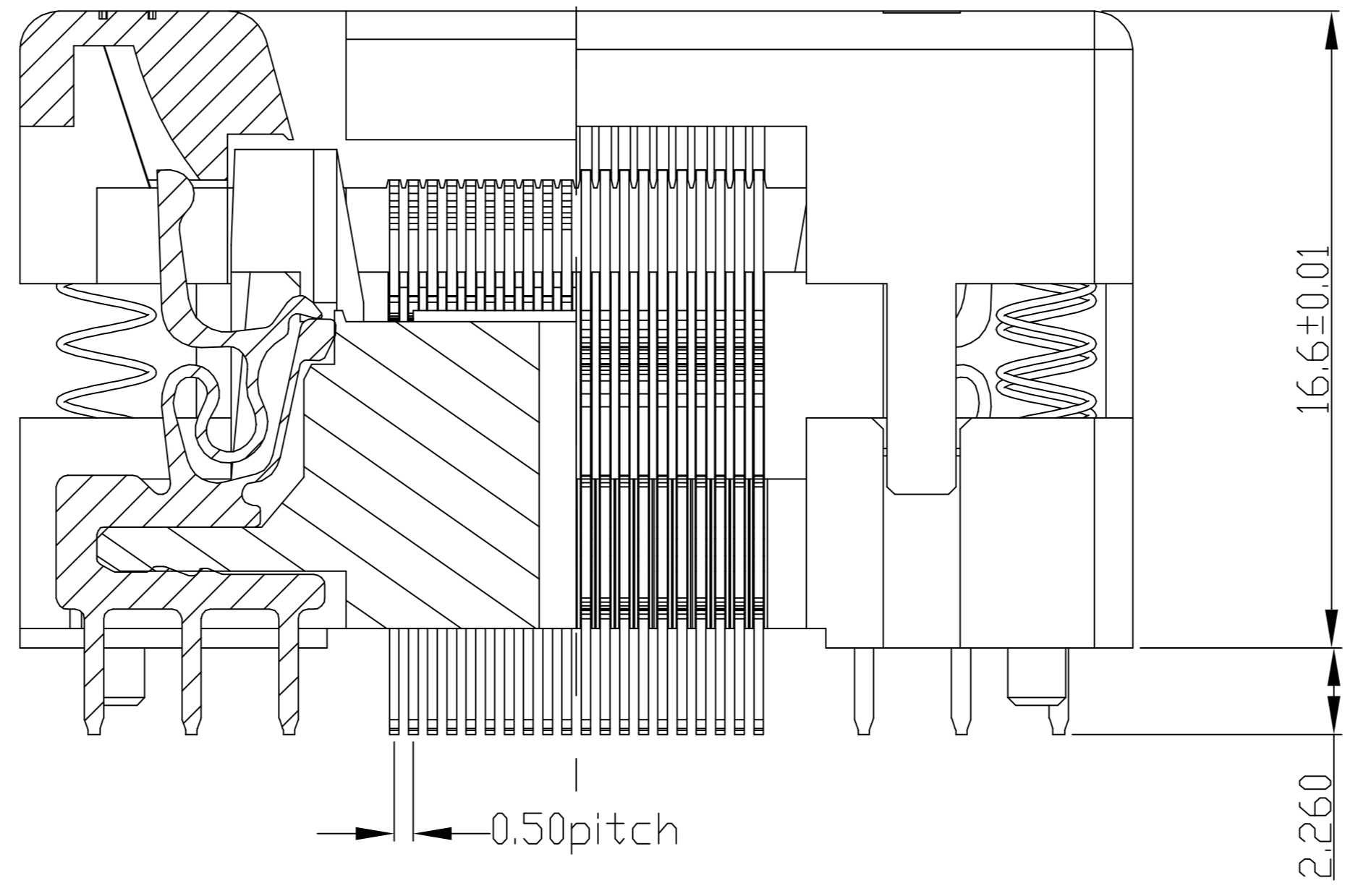
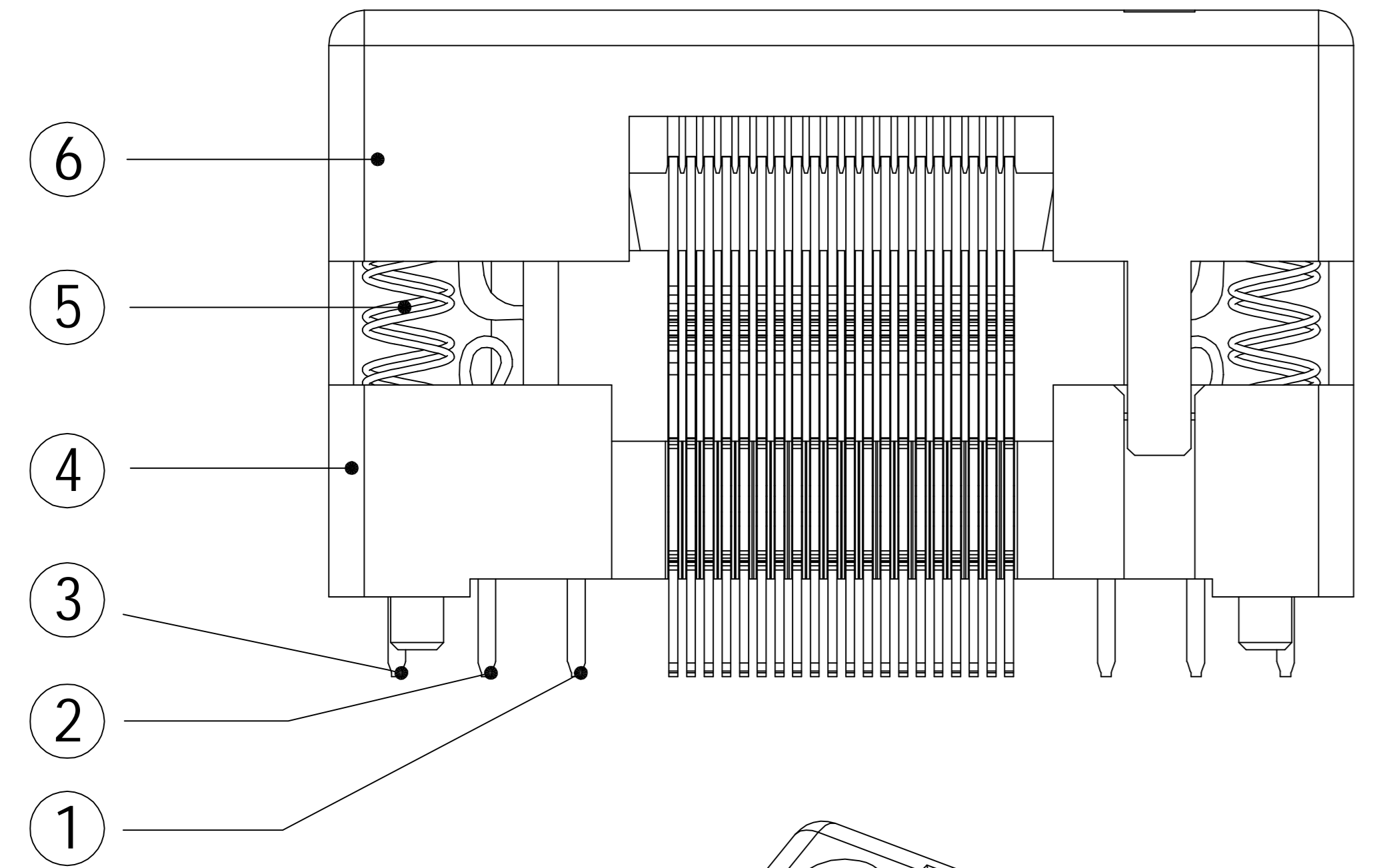
APPLICABLE IC



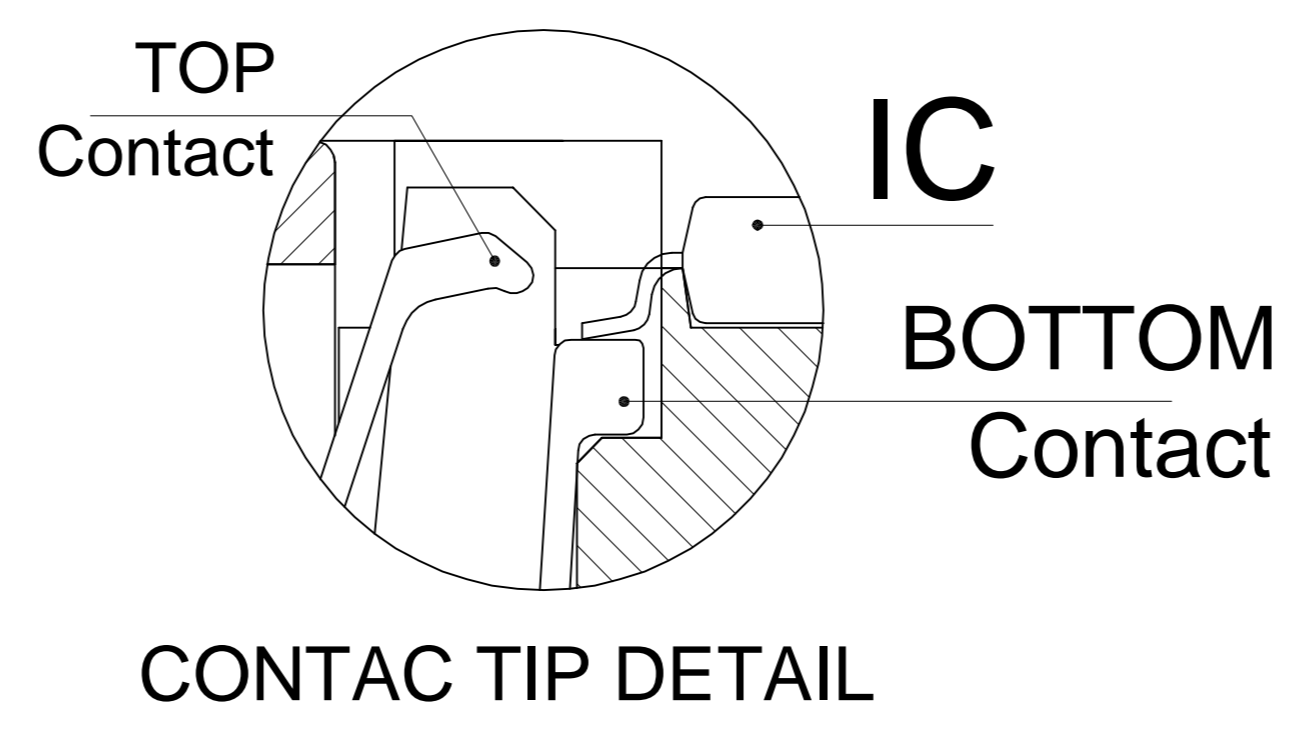
PCB PATTERN (TOP VIEW)



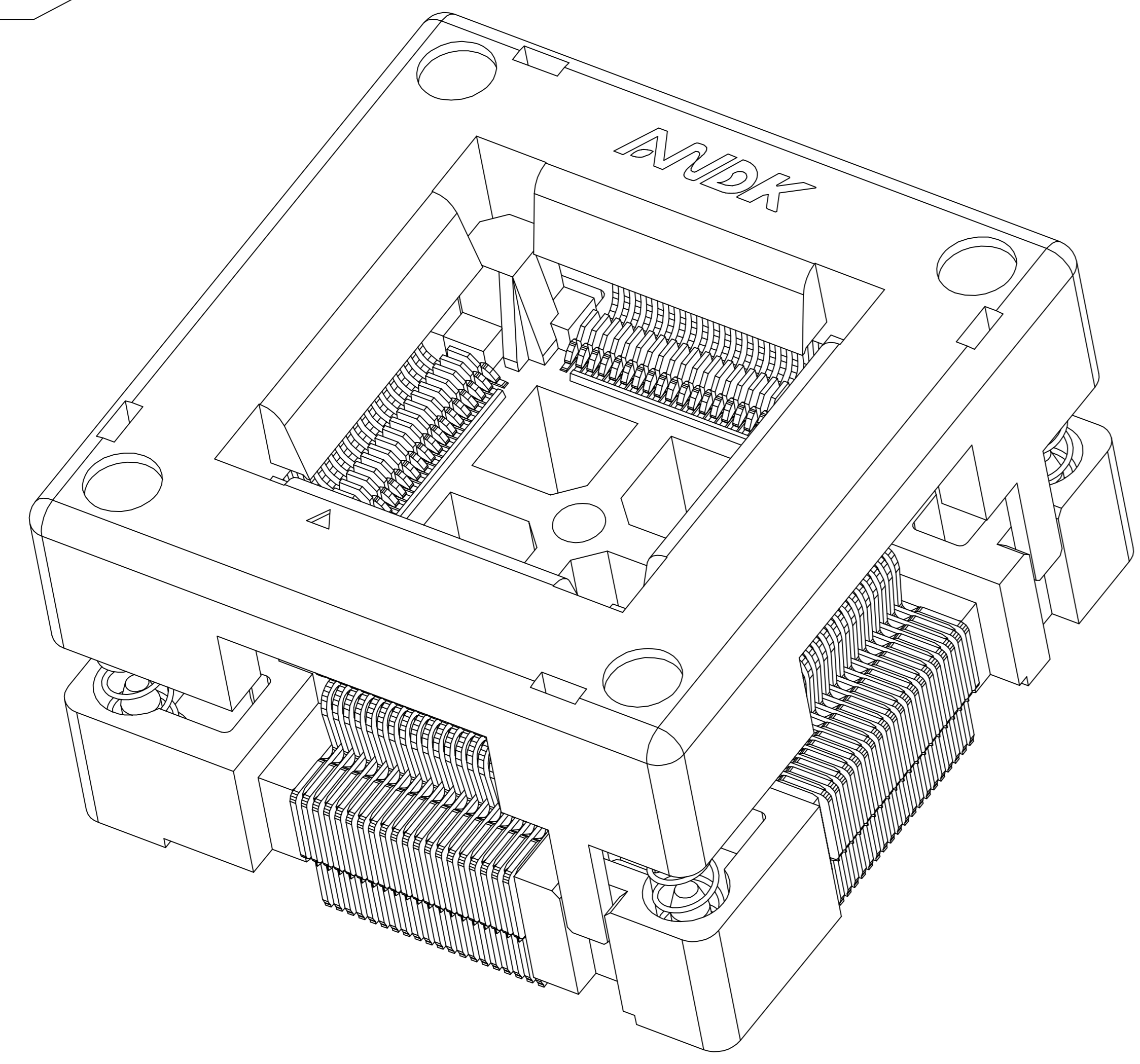
Insertion



截面A-A



CONTACT LEAD  
W0.5X T0.25



PERFORMANCE

1. Insulation Resistance: 1000MΩ Min. At DC 500V
2. Dielectric Withstanding Voltage For 1 Minute At AC500V
3. Contact Resistance(Initial) 100mΩ MAX at 10mA
4. Rated Current: 1.0A.
5. Operation Temperature range -65°C ~+150°C
6. Terminal strength against pulling 0.5Kg(1min)
7. Insertion Min10000 cycle (Mechanical)
8. Material: Body:PAI,PES; Contact:BeCu,Au plating(Ni-base)

No	Part Number	Name	Material	Q/ty	Note
6	QFP64-0.5-XCR	COVER	PEI/PES	1	BLACK
5	30-B-4515X	SPRING	SUS	4	FOR COVER
4	QFP64-0.5-XBY	BODY	PEI/PES	1	BLACK
3	QFP64-0.5-XCTC	CONTACT	BeCu	28	FOR COVER
2	QFP64-0.5-XCTB	CONTACT	BeCu	24	BLACK
1	QFP64-0.5-XCTA	CONTACT	BeCu	28	Au PLATING

TOLERANCE	PROJECTION	GENERAL TOLERANCES	±0.10	TITLE	QFP80-0.5 SOCKET
X. ± 0.50	DIMENSION: mm	REVISION	A	CLASS	QFP80-0.5-TP01NT
X.X ± 0.25	APP:	SCALE: 1:1		DRW. NO	03
X.XX ± 0.10	CHECK:	DATE:			
X.XXX ± 0.05	DEGK: ENG03	DATE: 20150606			

