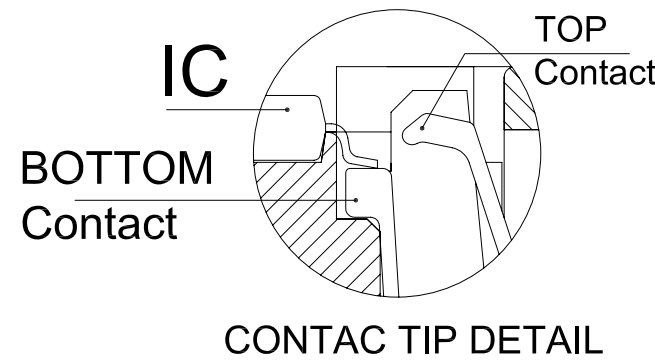
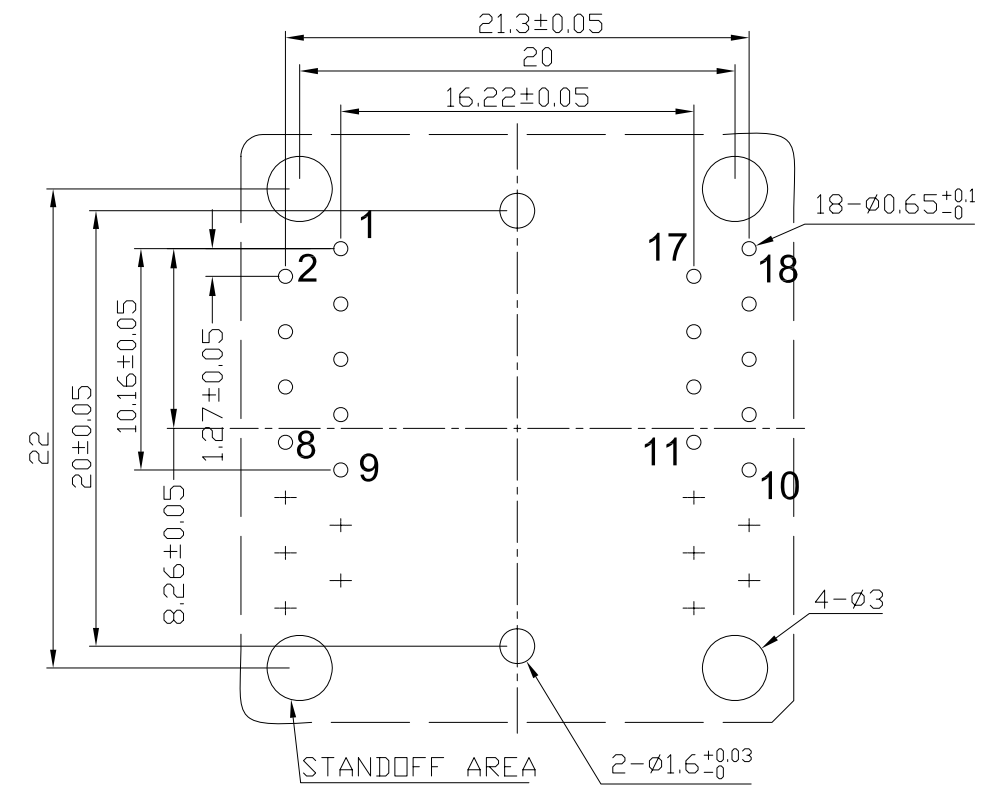


REVISION	DESCRIPTION	CHECK	APP	DATE	REV. NOTICE. NO
△ 1					
△ 2					
△ 3					

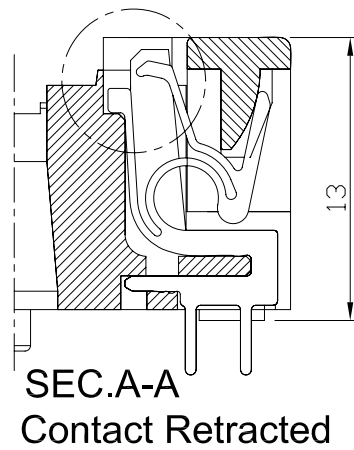
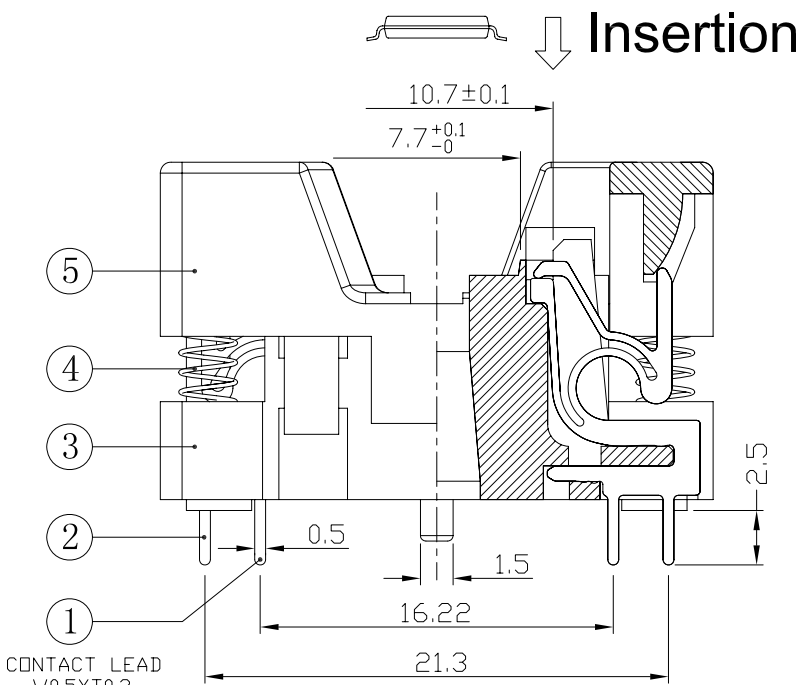
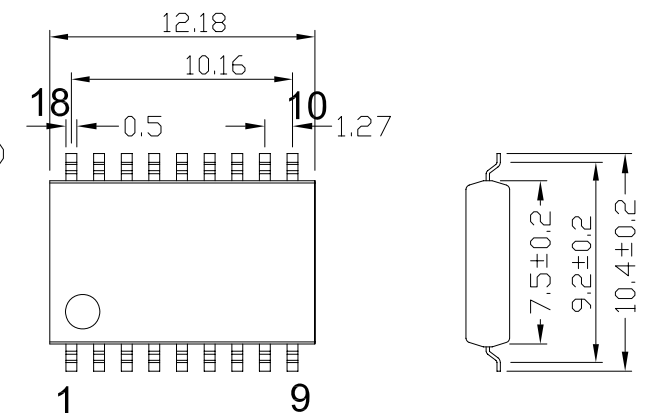
**PCB PATTERN (TOP VIEW)**



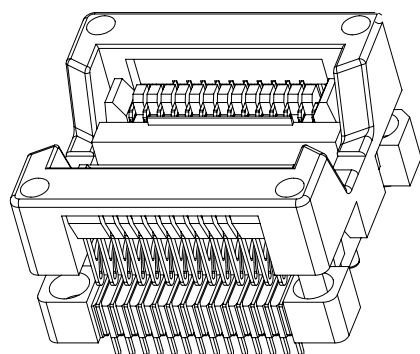
**PERFORMANCE**

1. Insulation Resistance: 1000mΩ Min. At DC 500V
2. Dielectric Withstanding Voltage For 1 Minute At AC 700V
3. Contact Resistance 30mΩ MAX. at 10mA and 20mV MAX.(Initial)
4. Current Rating: 1A max.
5. Operation Temperature -55°C ~+125°C
6. Life Span 15,000 Times (Mechanical)
7. Operation Force 1.0 Kg MAX

**APPLICABLE IC**



**SEC.A-A**



No	Part Number	Name	Material	Q/ty	Note	TOLERANCE	PROJECTION	GENERAL TOLERANCES	±0.10	TITLE	SOP28-1.27 SOCKET
6	SDP-28-U01-003	ADAPTER	PEI/PES	1	BLACK			R E V	A	CLASS	SOP18(28)-1.27-TP04NT
5	SDP-28-U01-002	COVER	PEI/PES	1	BLACK			SCALE:	1:1	DRW. NO	OTS-18(28)-1.27-04
4	30-B-4515X	SPRING	SUS	4	FOR COVER	X. ± 0.50	DIMENSION: mm	DATE:			
3	SDP-28-U01-001	BASE	PEI/PES	1	BLACK	X.X ± 0.25	APP:	DATE:			
2	SDP-28-MSBR-02	CONTACT	BeCu	9	Au PLATING	X.XX ± 0.10	CHECK:	DATE:			
1	SDP-28-MSBR-01	CONTACT	BeCu	9	Au PLATING	X.XXX ± 0.05	DEGK: ENG03	DATE:	20170318		

